



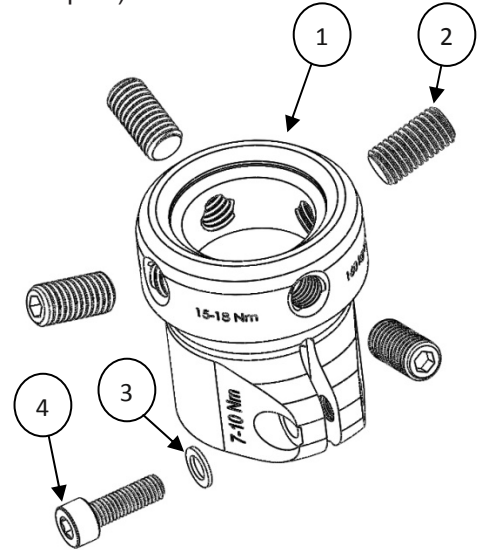
INTRODUCTION

Trulife’s Aluminum Clamp Adapter is designed for use in endoskeletal construction of Trulife limb systems. It provides $\pm 8^\circ$ angular adjustment. The overall height is 48mm (1.88”). For proper assembly to a pylon there must be at least 31mm (1.22”) of available pylon length. We recommend Trulife’s 30mm diameter bonded pylons (AAA200 or AAA202) or Trulife’s Variable Height Adapter (AAA135) be used with this adapter.

Product Code	Description	Weight Limit
AAA225	Clamp Adapter AL	160 kg / (350 lb) (Medium Impact)

CONTENTS

ITEM	QTY.	PART NO.	DESCRIPTION
1	1	29931-004	ALUMINUM CLAMP ADAPTER
2	2	9300-016	SCREW SET FLAT FACE M8-1.25 X 16MM
3	1	29308-001	WASHER FLAT SS BLACK OXIDE .200 ID
4	1	9299-016	SCREW SHCS M5X0.8X16MM BLK ZINC



INSTALLATION AND USE

Recommended installation and use procedures must be followed for maximum safety and service life.

Rotational Alignment

Important: Make sure there are no decals or anything else adhered to the pylon which could interfere with the free fit of the pylon.

1. Insert pylon into the clamp until fully seated and the rotational alignment is achieved.
2. Tighten to 7-10 Nm (5-7 ft-lbs/62-89 in-lbs) using a calibrated torque wrench with a sharp 4mm hex driver.

Angular Alignment

3. Apply [BLUE] Loctite 242, removable thread retaining compound, to the threads of all set screws.
4. Place the mating male pyramid into the female receiver end and use a 4mm hex driver to tighten the set screws.
5. Alternately loosen and tighten opposing set screws to achieve desired alignment. Make sure all set screws are tight before allowing the patient to bear weight on the limb.
6. Tighten ALL set screws to 15-18 Nm (11-13 ft-lbs/132-159 in-lbs) using a calibrated torque wrench.

To maintain integrity of the assembled prosthesis perform these final assembly steps:

Final Assembly

8. Allow patient to load and/or walk on the prosthesis.
9. Re-apply tightening torque to all screws.

Important: Follow steps 8 and 9 above to account for any settling or compression set of the assembled components.





WARNING:

- Avoid exposing any Trulife Aluminum Adapter to corrosives such as salt water, chlorinated water, ammonia, highly acidic, or highly alkaline agents. In case of exposure, rinse with fresh water and allow to thoroughly dry.
- Do not allow moisture to accumulate or dwell inside the adapter.
- **Do not use a carbon pylon with a AAA aluminum adapter. Aluminum + Carbon + Moisture = Galvanic Corrosion!**
- **Insufficient fastener torque will lead to fatigue failure of any modular adapter.**
- **Excessive fastener torque can strip threads.**
- **Torque settings should be checked periodically. A loose set screw may lead to component failure.**
- **Stop use immediately if a set screw needs to be re-tightened more than once. Loosening of set screws may be an early indication of component failure.**
- Use only bolts, set screws and other fasteners supplied or recommended by Trulife. **Use of unapproved fasteners will void the warranty and may lead to component failure.**
- Final application of fastener tightening torque must be done within 2 hours of initial application of blue Loctite 242 thread retaining compound.
- Do not contaminate fasteners with any type of paint or adhesive, except for the recommended thread retaining compounds. For all fasteners, ensure a free-running thread fit prior to applying final tightening torque.
- When adjusting alignment or re-assembling components that had been previously assembled with thread retaining compounds, the threads of the fasteners and threaded holes should be cleaned and free of any retaining compound residue to ensure a free-running thread fit.
- Never modify any Trulife Aluminum Adapter unless directed to in this installation guide. Any modifications to an adapter will void the warranty and can lead to failure.
- **Failure to follow the installation and use procedures set forth above may lead to structural failure of the components subjecting the user to a risk of serious personal injury.**

QUESTIONS

Contact Customer Service at:
USA
Tel: +1 800 492 1088
Fax: +1 800 245 3765
Email: info-usa@trulife.com
Visit Trulife online at www.trulife.com.

Canada
Tel: +1 800 267 2812
Fax: +1 613 392 4139
Email: infocanada@trulife.com

Trulife has appointed Medical Device Safety Service (MDSS) of Hannover, Germany to act as our EU authorized representative. They may be contacted at:

MDSS GmbH
Schiffgraben 41
30175 Hannover
Germany
Phone (+49)-511-6262 8630
FAX (+49) -511-6262 8633

LIMITED WARRANTY

Trulife warrants that the PRODUCT will be free from defects in material and workmanship for the PRODUCT from the date of installation.

This warranty will not apply if the PRODUCT has been damaged by misuse, abuse, neglect, improper care, failure to follow instructions, abnormal wear and tear, or in the event that the PRODUCT has been modified/repared by persons unauthorized by Trulife.

If a defect in material or workmanship is found during the warranty period, Trulife will, at Trulife's option, either repair or replace the product. If it is not possible to repair or replace the product, Trulife will be limited to refunding the purchase price.

Trulife will not be liable under any legal theory for any direct, indirect, special, incidental or consequential damages arising from the use of or inability to use this product.

The application guidelines for this Trulife product are for the use of and by certified, qualified practitioner only. Patients are not to attempt to apply or adjust the item unless expressly instructed to do so by the practitioner responsible for the prescription and/or initial fitting of the device. All patient questions should be referred to the practitioner and not to the manufacturer. The manufacturer warrants only that the enclosed product has been inspected for quality and can be effective for certain indications, but final decisions and ongoing monitoring must be made by the medical professional(s) prescribing and/or fitting the device to determine its effectiveness for an individual patient. Patient compliance is an integral part of the entire protocol and must be adhered to in order to avoid potential problems and to maximize the effectiveness of the prescribed product.

As a condition of the sale of any Trulife product, this product is restricted to a "Single Patient Use Only" by the originally fitted patient in order to protect the care provider and the patient against potentially adverse consequences of infectious disease transmission, material instability in adapting to the configuration of the original user and/or decrease in effectivity. Any express or implied warranties are voided if the product is reused or fitted to another patient. Additionally, a license of right to use under any relevant patents pertaining to the product is terminated with the cessation of use by the original patient. As with all Trulife products, this product must be prescribed and applied by a qualified practitioner to determine it meets the needs of the particular patient and accomplishes the desired results.

