



INTRODUCTION

The Seattle Triumph is a multi-axial foot-ankle system that combines carbon composite S-shaped shank and split keel. It offers dynamic features such as heel strike shock absorption, smooth rollover, controlled plantar flexion, split keel stability and a balanced transition from heel to toe.

Product Code

STF190
 STF191
 STF193

* For medium activity level

Description

Seattle Triumph, Caucasian
 Seattle Triumph, Light Brown
 Seattle Triumph, Dark Brown

Weight Limit*

166 kg • 366 lb
 166 kg • 366 lb
 166 kg • 366 lb

Height (without foot shell)

18 cm (7 1/8")

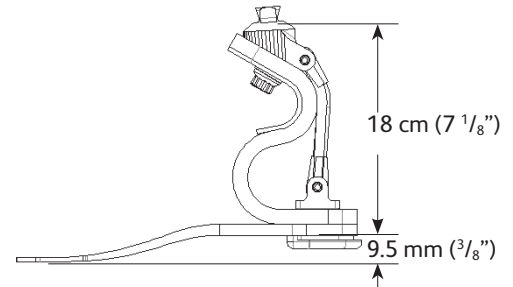


FIGURE 1: Seattle Triumph dimensions

ACCESSORIES AND REPLACEMENT PARTS

| Product Code | Description |
|--------------|--|
| SFC290 | Foot Shell, Light |
| SFC291 | Foot Shell, Light Brown |
| SFC293 | Foot Shell, Dark Brown |
| SVF2-WEDGE | Wedge Kit |
| 16690-001 | Shoe Horn for Foot Shell |
| 28584-003 | Replacement Spectra-Sock |
| CAT9-TND-001 | Posterior Tendon Cord Kit 22-24cm #1-2 |
| CAT9-TND-002 | Posterior Tendon Cord Kit 22-24cm #3 |
| CAT9-TND-003 | Posterior Tendon Cord Kit 22-24cm #4-5 |
| CAT9-TND-004 | Posterior Tendon Cord Kit 22-24cm #6 |
| CAT9-TND-005 | Posterior Tendon Cord Kit 22-24cm #7 |
| CAT9-TND-006 | Posterior Tendon Cord Kit 22-24cm #8-9 |
| CAT9-TND-007 | Posterior Tendon Cord Kit 25-27cm #1-2 |

| Product Code | Description |
|--------------|---|
| CAT9-TND-008 | Posterior Tendon Cord Kit 25-27cm #3 |
| CAT9-TND-009 | Posterior Tendon Cord Kit 25-27cm #4-5 |
| CAT9-TND-010 | Posterior Tendon Cord Kit 25-27cm #6 |
| CAT9-TND-011 | Posterior Tendon Cord Kit 25-27cm #7 |
| CAT9-TND-012 | Posterior Tendon Cord Kit 25-27cm #8-9 |
| CAT9-TND-013 | Posterior Tendon Cord Kit 28-30cm #1-2 |
| CAT9-TND-014 | Posterior Tendon Cord Kit 28-30cm #3 |
| CAT9-TND-015 | Posterior Tendon Cord Kit 28-30cm #4-5 |
| CAT9-TND-016 | Posterior Tendon Cord Kit 28-30cm #6 |
| CAT9-TND-017 | Posterior Tendon Cord Kit 28-30cm #7 |
| CAT9-TND-018 | Posterior Tendon Cord Kit 28-30cm #8-9 |
| SHF-STK | High Performance Foot Service Tool Kit (Tool Base, Pin Driver, Pin Setter, Drift Pen) |

APPLICATION

The Seattle Triumph foot is appropriate for amputees with low to high impact levels. Recommended installation and use procedures must be followed for maximum safety and service life. Refer to the Selection Table below to determine the appropriate foot for your patient.





SELECTION

The Seattle Triumph foot has nine available category options. Each is designed and tested to support a specific weight and impact level combination.

To optimize the selection and ensure amputee’s safety, follow the two steps below to determine the appropriate category.

- Locate the column that corresponds with the amputee’s impact level.
- Within the selected column locate the amputee’s weight.

Important Note: If the amputee has a long BK, carries heavy loads or will reach a higher impact level within a year, choose the next category higher.

Warning: Choosing a lower strength category than what is suggested based on the above procedure and patient data will void the warranty.

| | Low | Medium | High |
|----------|-------------------------|-------------------------|-------------------------|
| Category | Walking Uneven Surfaces | Light Sports | Running, Basketball |
| 9 | 141-166 kg • 310-366 lb | 124-145 kg • 271-320 lb | 106-125 kg • 232-274 lb |
| 8 | 121-140 kg • 266-309 lb | 106-123 kg • 232-270 lb | 91-105 kg • 199-231 lb |
| 7 | 101-120 kg • 221-265 lb | 89-105 kg • 194-231 lb | 76-90 kg • 166-198 lb |
| 6 | 91-100 kg • 199-220 lb | 80-88 kg • 175-193 lb | 69-75 kg • 150-165 lb |
| 5 | 81-90 kg • 177-198 lb | 71-79 kg • 155-174 lb | 61-68 kg • 133-149 lb |
| 4 | 71-80 kg • 155-176 lb | 62-70 kg • 136-154 lb | 53-60 kg • 117-132 lb |
| 3 | 66-70 kg • 144-154 lb | 58-61 kg • 126-135 lb | 50-53 kg • 108-116 lb |
| 2 | 60-65 kg • 132-143 lb | 53-57 kg • 117-125 lb | 46-49 kg • 101-107 lb |
| 1 | < 60 kg • < 132 lb | < 53 kg • < 117 lb | < 46 kg • < 101 lb |

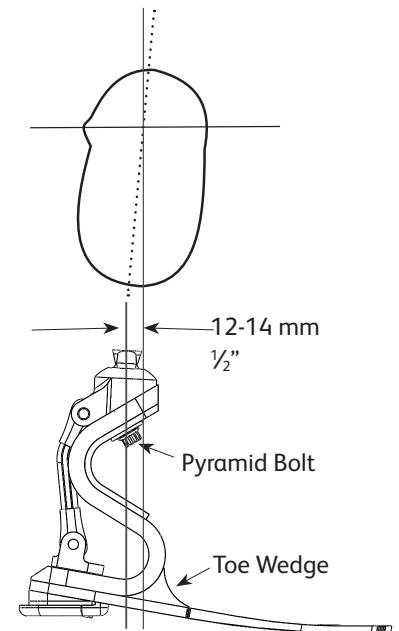


FIGURE 2: Seattle Triumph bench alignment

INSTALLATION AND USE

The Seattle Triumph is shipped with a Spectra sock pre-assembled into a foot shell.

Warning: Failure to follow the installation and use procedures may lead to structural failure of the components, subjecting the user to risk of serious personal injury.

Bench Alignment

- Bisect the medial side of the socket and drop a plumb line. This line should fall between 12-14 mm (1/2") anterior to the center axis of the pylon.
- Bisect the posterior side of the socket and drop a plumb line. This line should bisect the center axis of the pylon or pass through the heel.

Dynamic Alignment Suggestions

In order to achieve better heel compression, move the socket slightly anterior to the recommended bench alignment.

Toe Wedge Options

In order to increase dorsiflexion resistance and mid-stance stability Toe Wedges are provided. Simply insert the desired Toe Wedge between the shank and keel as shown and tack with a drop of super glue. Secure with additional super glue if the evaluation is successful.

Finalize Foot and Cosmetic Cover

Add Loctite 242 to the threads of the set screws.

Tighten the set screws to a torque setting of 15 Nm (11 ft-lbs).





MAINTENANCE GUIDELINES

- Foot assembly should be inspected after first 30 days of use.
- Posterior tendon should be evaluated for excessive play annually for amputees with Medium to High impact levels. Replace as needed.
- Inspect entire prosthesis for wear during normal consultations.
- Foot shell may require replacement if wear is excessive.
- Check screws periodically for loosening.

Warning: Looseness in any screw may cause failure.

- Check the pyramid bolt during each visit to verify that it is at the correct torque setting of 43 Nm (32 ft-lbs). If the bolt is loose:
 1. Remove the pyramid bolt and washer.
 2. Clean the threads using a mild solvent such as alcohol.
 3. Apply Loctite 242 to the fastener threads.
 4. Thread the pyramid bolt through the shank and into the pyramid. Realign if necessary. Do not force the bolt.
 5. Torque the bolt to 43 Nm (32 ft-lbs) using a $\frac{7}{16}$ " 12 Point Socket.

PATIENT USAGE GUIDELINES

Warnings and/or contraindications specified for the assembled prosthesis, include, but are not limited to:

- Patient must always wear shoes when using the Seattle Triumph outdoors.
- Rinse the Seattle Triumph thoroughly with fresh water after any contact with salt water, sand or other contaminants, and dry thoroughly. **Do not immerse foot in water.**
- Never disassemble the Seattle Triumph, excluding procedures specifically referred to in the install guide.
- Discontinue use and consult your physician or prosthetist if the prosthesis causes pain or injures you in any way.
- Discontinue use and consult your prosthetist if any part of the prosthesis starts to make noise.
- Do not attempt to adjust or service the prosthesis except as advised by your prosthetist.
- Inform your prosthetist if you lose or gain a significant amount of weight.
- Have the prosthesis serviced at regular intervals specified by the prosthetist.
- Trulife's feet are manufactured and tested for a particular weight and activity level. Use by an amputee, other than the one for whom it was originally manufactured, may be dangerous and will void any written or implied warranty.

QUESTIONS

Contact Customer Service in the U.S. at 800.492.1088, or fax 800.245.3765.

If calling from outside the U.S., contact Customer Service at 360-697-5656, or fax 360-697-6843.

Visit Trulife online at www.trulife.com.

LIMITED WARRANTY

Trulife warrants that the Seattle Triumph will be free from defects in material and workmanship for three (3) years for the foot and six (6) months for the foot shell from the date of installation.

This warranty will not apply if the product has been damaged by misuse, abuse, neglect, improper care, failure to follow instructions, abnormal wear and tear, or in the event that the Seattle Triumph has been modified/repaired by persons unauthorized by Trulife.

If a defect in material or workmanship is found during the warranty period, Trulife will, at Trulife's option, either repair or replace the product. If it is not possible to repair or replace the product, Trulife will be limited to refunding the purchase price.

Trulife will not be liable under any legal theory for any direct, indirect, special, incidental or consequential damages arising from the use of or inability to use this product.

The application guidelines for this Trulife product are for the use of and by certified, qualified practitioner only. Patients are not to attempt to apply or adjust the item unless expressly instructed to do so by the practitioner responsible for the prescription and/or initial fitting of the device. All patient questions should be referred to the practitioner and not to the manufacturer. The manufacturer warrants only that the enclosed product has been inspected for quality and can be effective for certain indications, but final decisions and ongoing monitoring must be made by the prosthetic professional(s) prescribing and/or fitting the device to determine its effectiveness for an individual patient. Patient compliance is an integral part of the entire protocol and must be adhered to in order to avoid potential problems and to maximize the effectiveness of the prescribed product.

As a condition of the sale of any Trulife product, this prosthesis is restricted to a "Single Patient Use Only" by the originally fitted patient in order to protect the care provider and the patient against potentially adverse consequences of infectious disease transmission, material instability in adapting to the configuration of the original user and/or decrease in effectivity. Any express or implied warranties are voided if the product is reused or fitted to another patient. Additionally, a license of right to use under any relevant patents pertaining to the product is terminated with the cessation of use by the original patient. As with all Trulife products, this product must be prescribed and applied by a qualified practitioner to determine it meets the needs of the particular patient and accomplishes the desired results.